

Settings

Load Settings from File

Willaert

Control Architecture: PF

To Be Designed Controller: Controller C1

Stability Criterion: Bounded Environment Passivity (BEP)

Mapping Settings

Save Settings

Processing

Load Mapping

Start Mapping

Save Mapping

Additional Options

Plot 3D diagram

Approximation

Show Freq. in Bode

Save Controller

Control Design

C1_1

Numerator: $2\pi \cdot 12 \cdot 2.3 \cdot (s + 2\pi \cdot 12 / 2.3)$

Denominator: $2\pi \cdot 12 / 2.3 \cdot (s + 2\pi \cdot 12 \cdot 2.3)$

Plot Controller

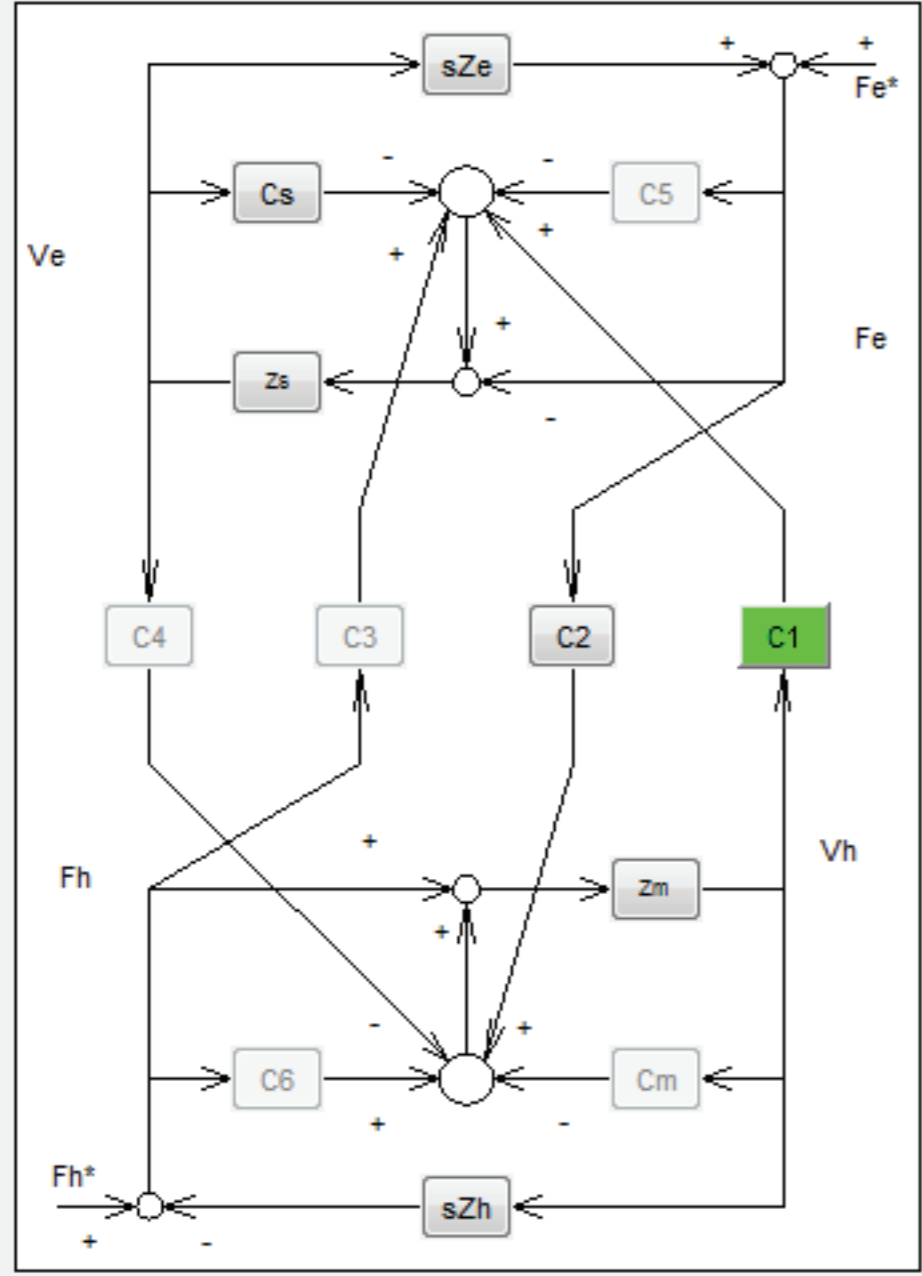
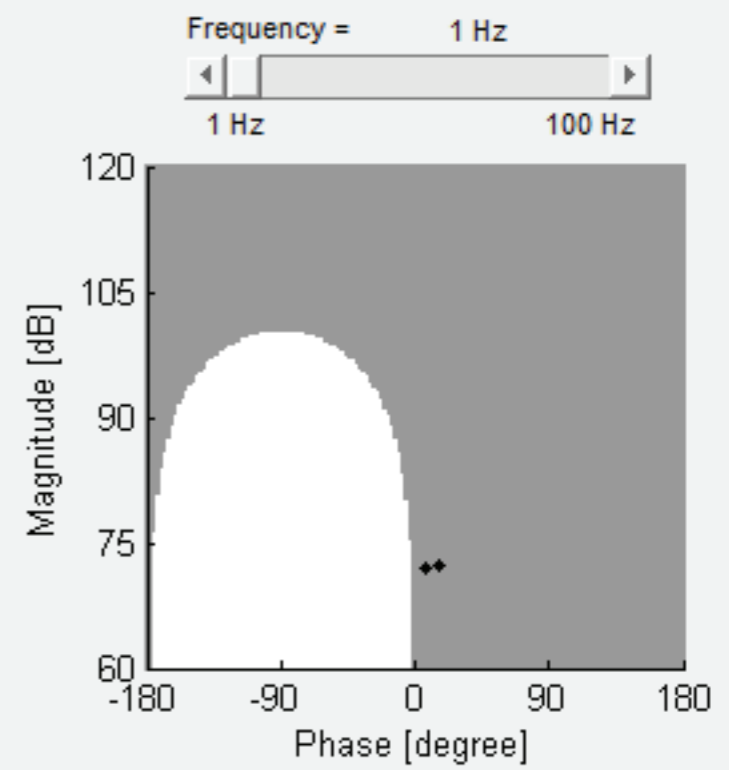
Add Design

Lead/lag

zero: 12/2.3 Hz

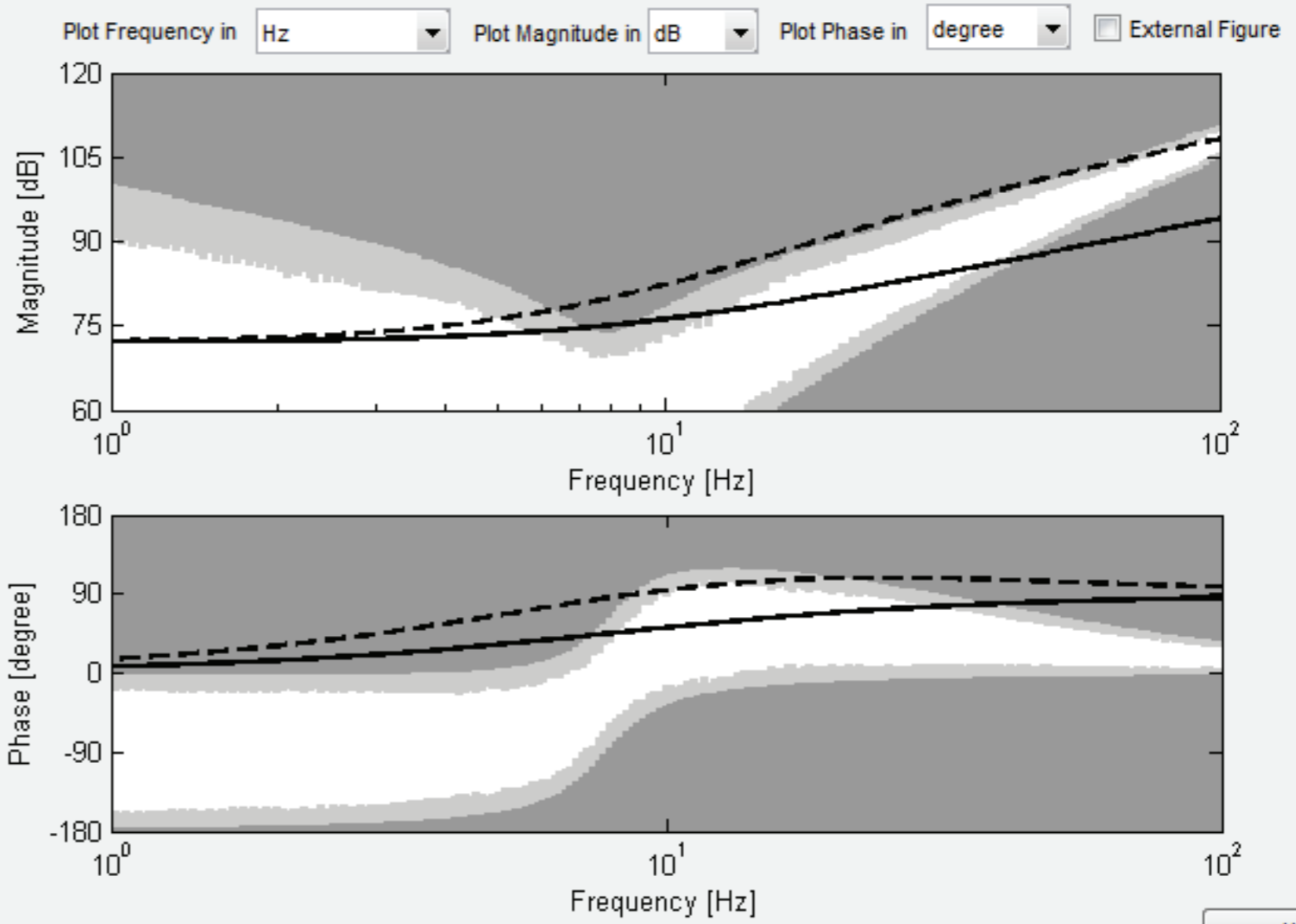
pole: 12*2.3 Hz

remove



Resolution Mapping: 0.39735 dB in Magnitude and 2.3841 degree in Phase

Stability Criterion **satisfied**



Settings

Load Settings from File

Willaert

Control Architecture: PF

To Be Designed Controller: Controller C1

Stability Criterion: Bounded Environment Passivity (BEP)

Mapping Settings

Save Settings

Processing

Load Mapping

Start Mapping

Save Mapping

Additional Options

Plot 3D diagram

Approximation

Show Freq. in Bode

Save Controller

Control Design

C1_1

Numerator
 $2\pi \cdot 12 \cdot 2.3 \cdot (s + 2\pi \cdot 12 / 2.3)$

Denominator
 $2\pi \cdot 12 / 2.3 \cdot (s + 2\pi \cdot 12 \cdot 2.3)$

Plot Controller

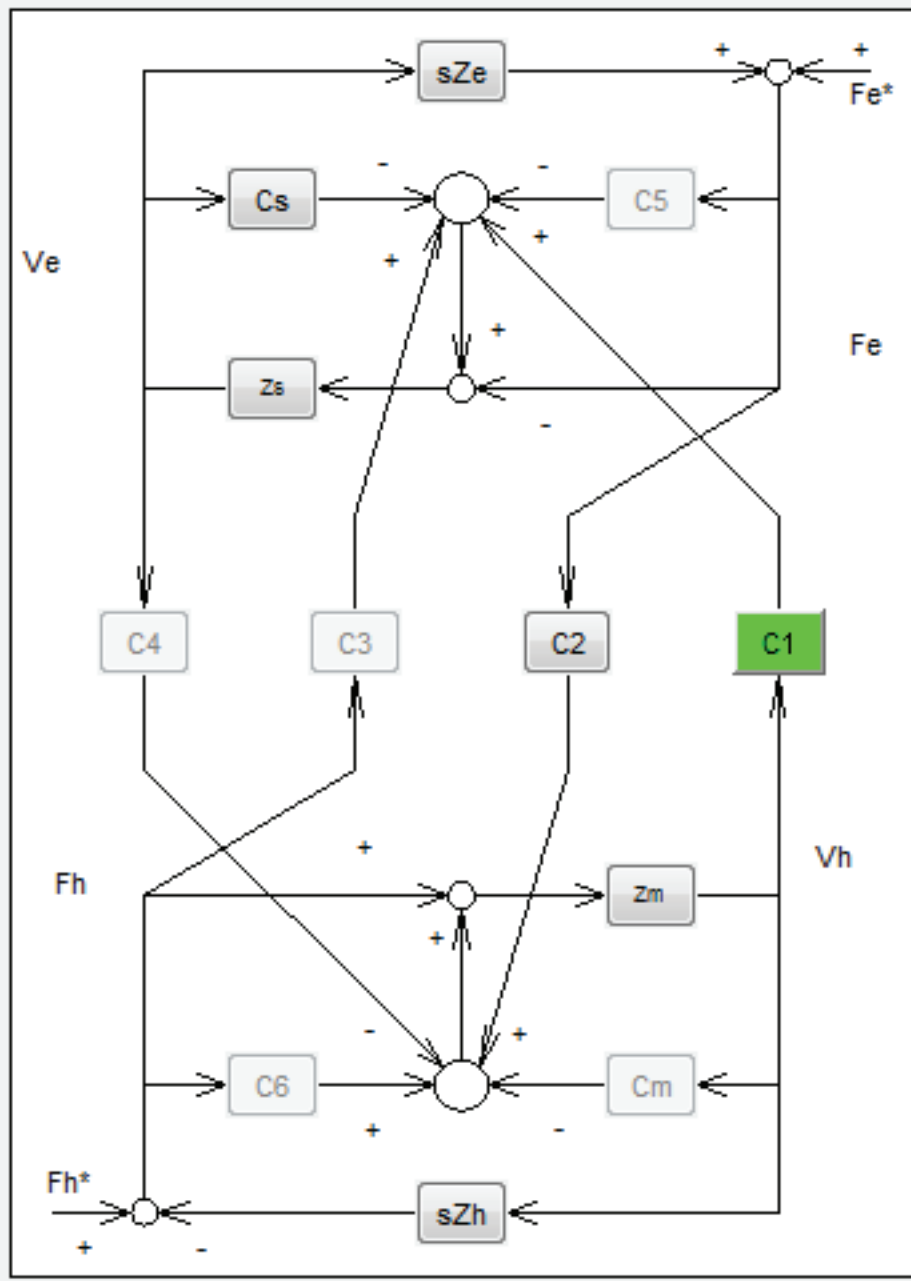
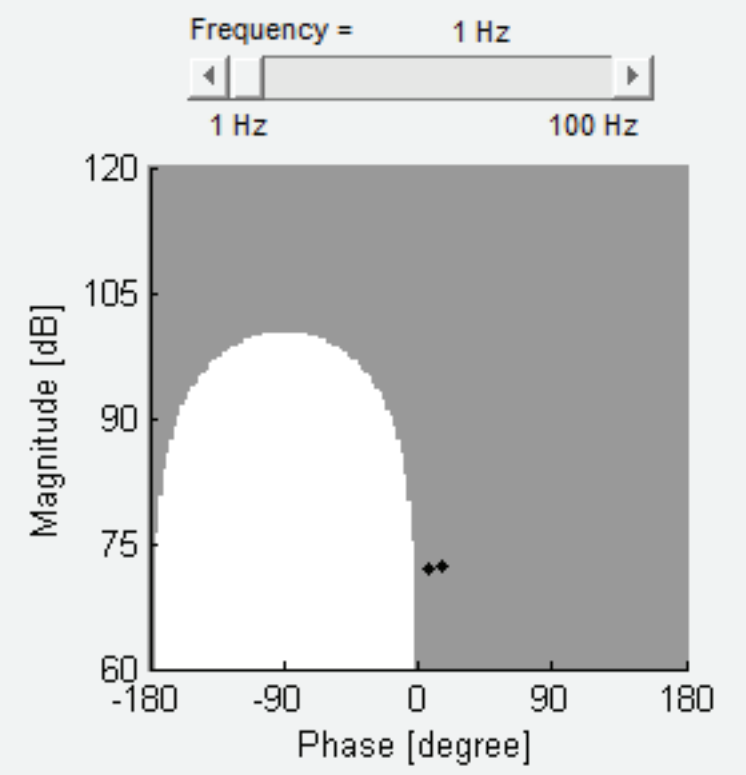
Add Design

Lead/lag

zero: 12/2.3 Hz

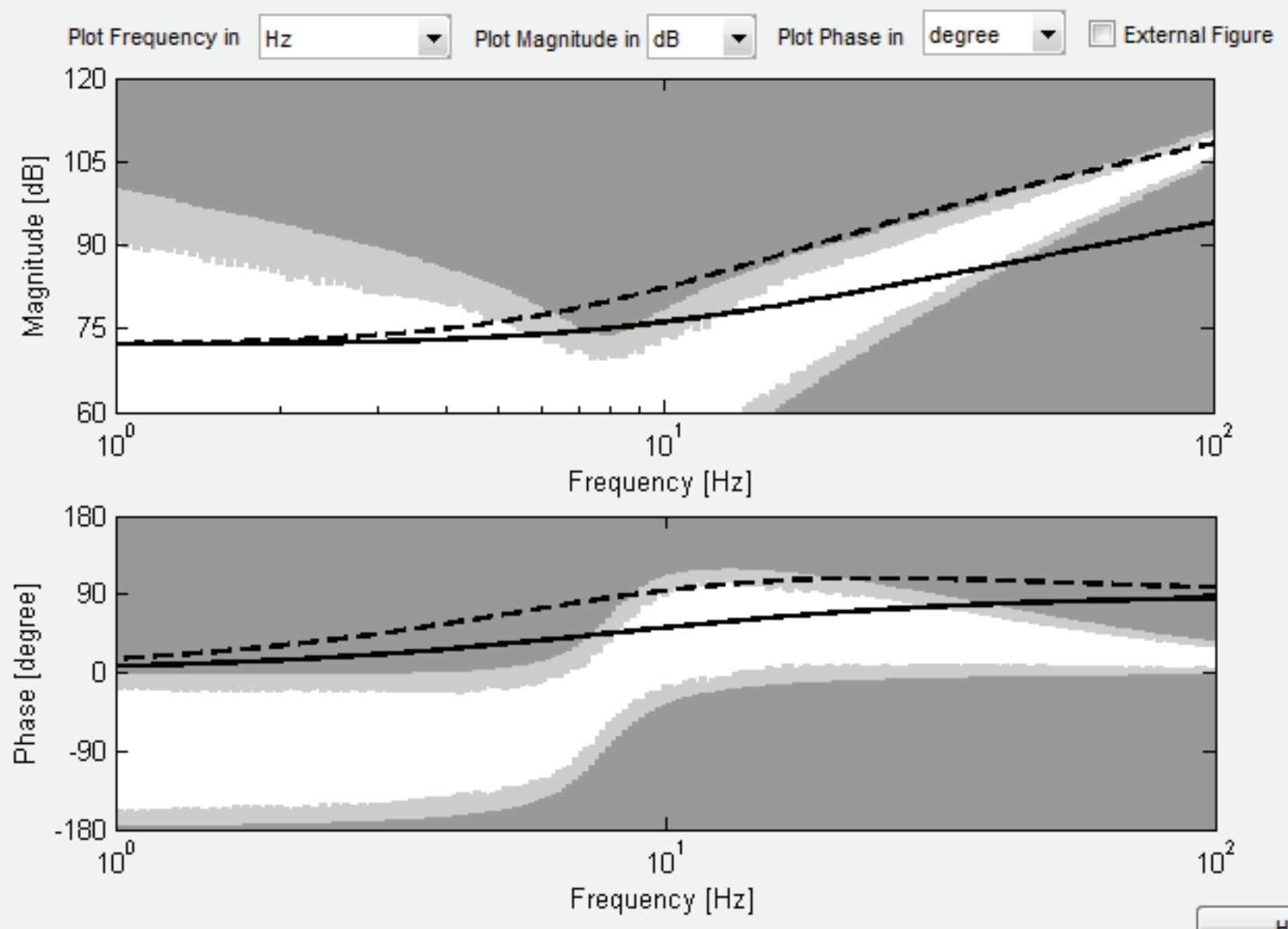
pole: 12*2.3 Hz

remove



Resolution Mapping: 0.39735 dB in Magnitude and 2.3841 degree in Phase

Stability Criterion **satisfied**



Settings

Load Settings from File

Willaert

Control Architecture: PF

To Be Designed Controller: Controller C1

Stability Criterion: Bounded Environment Passivity (BEP)

Mapping Settings

Save Settings

Processing

Load Mapping

Start Mapping

Save Mapping

Additional Options

Plot 3D diagram

Approximation

Show Freq. in Bode

Save Controller

Control Design

C1_1

Numerator
 $2\pi \cdot 12 \cdot 2.3 \cdot (s + 2\pi \cdot 12 / 2.3)$

Denominator
 $2\pi \cdot 12 / 2.3 \cdot (s + 2\pi \cdot 12 \cdot 2.3)$

Plot Controller

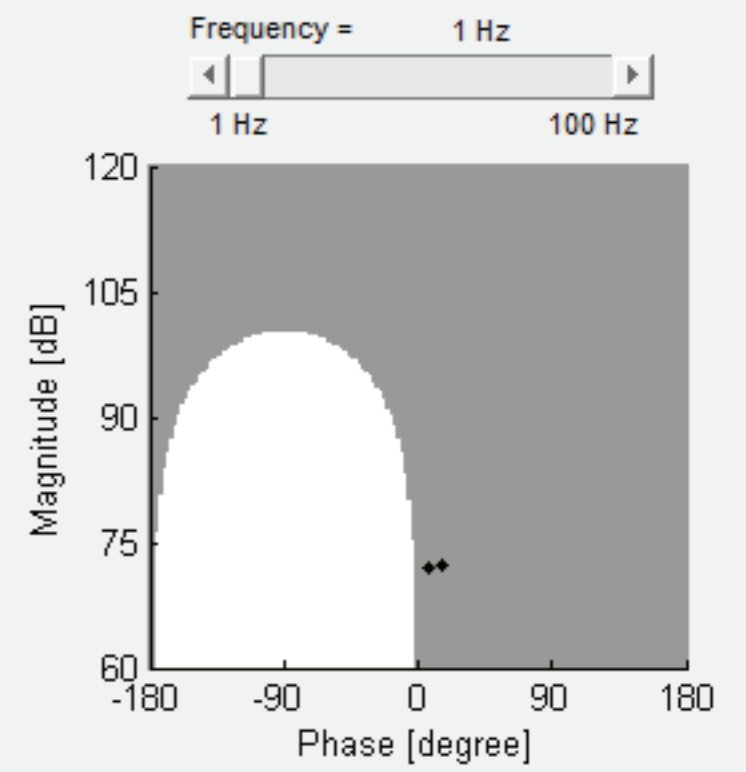
Add Design

Lead/lag

zero: 12/2.3 Hz

pole: 12*2.3 Hz

remove



Resolution Mapping: 0.39735 dB in Magnitude and 2.3841 degree in Phase

Stability Criterion **satisfied**

Plot Frequency in Hz | Plot Magnitude in dB | Plot Phase in degree | External Figure

